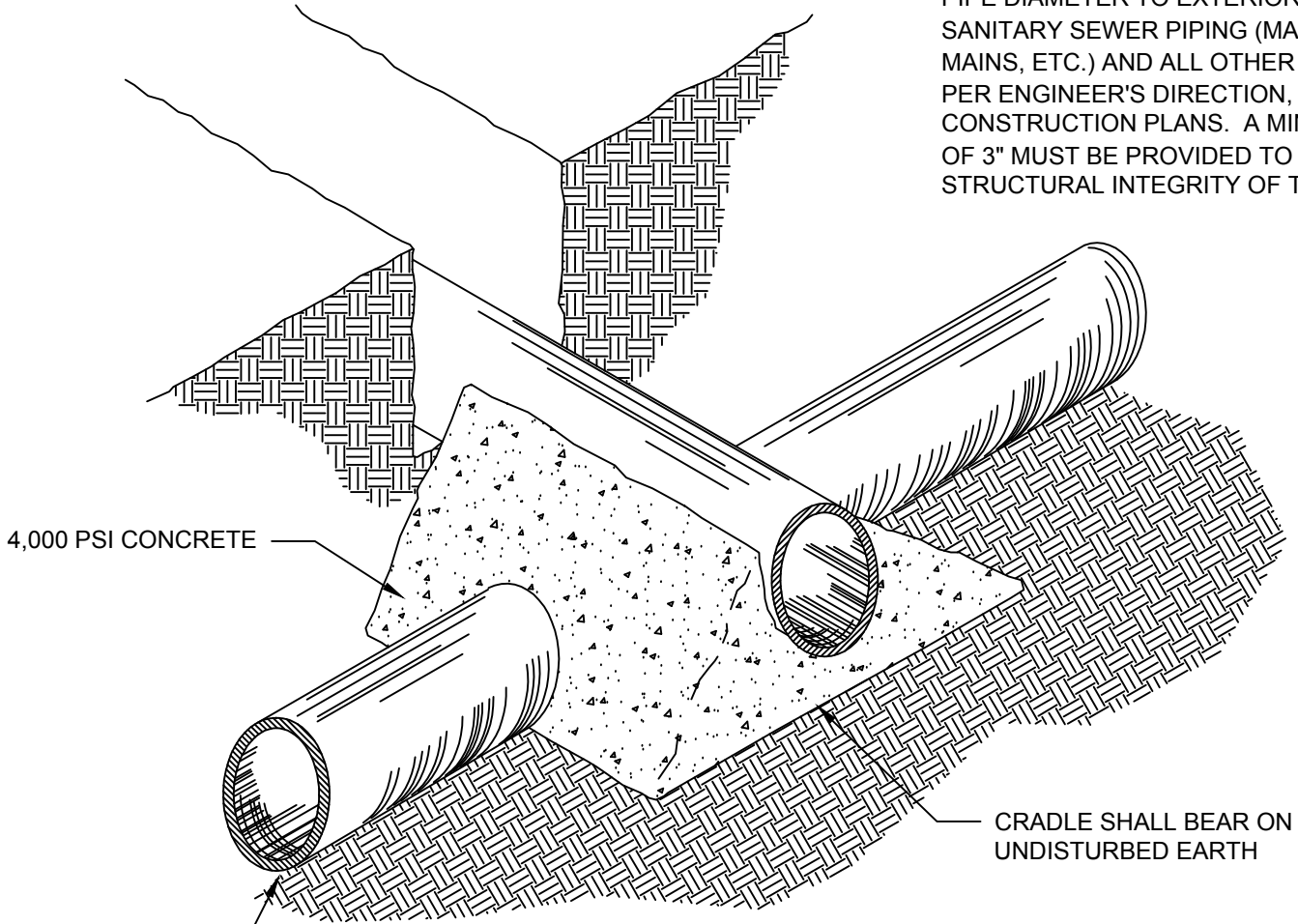


NOTES:

TO BE USED WHEN CLEAR DISTANCE (FROM EXTERIOR PIPE DIAMETER TO EXTERIOR PIPE DIAMETER) BETWEEN SANITARY SEWER PIPING (MAINS, LATERALS, FORCE MAINS, ETC.) AND ALL OTHER PIPES IS 18" OR LESS, PER ENGINEER'S DIRECTION, OR WHERE NOTED ON THE CONSTRUCTION PLANS. A MINIMUM CLEAR DISTANCE OF 3" MUST BE PROVIDED TO MAINTAIN THE STRUCTURAL INTEGRITY OF THE CONCRETE.



BOTTOM OF TRENCH

ISOMETRIC CUT AWAY VIEW

CRADLE SHALL BEAR ON UNDISTURBED EARTH

| | | | |
|--|---------------------|-------------------------------------|---------|
| City of Carmel Utilities Standard Details | | Title: CONCRETE CRADLE DETAIL | |
| Date: January 2016 | Scale: Not To Scale | Drawing: CS 31 | Page 34 |